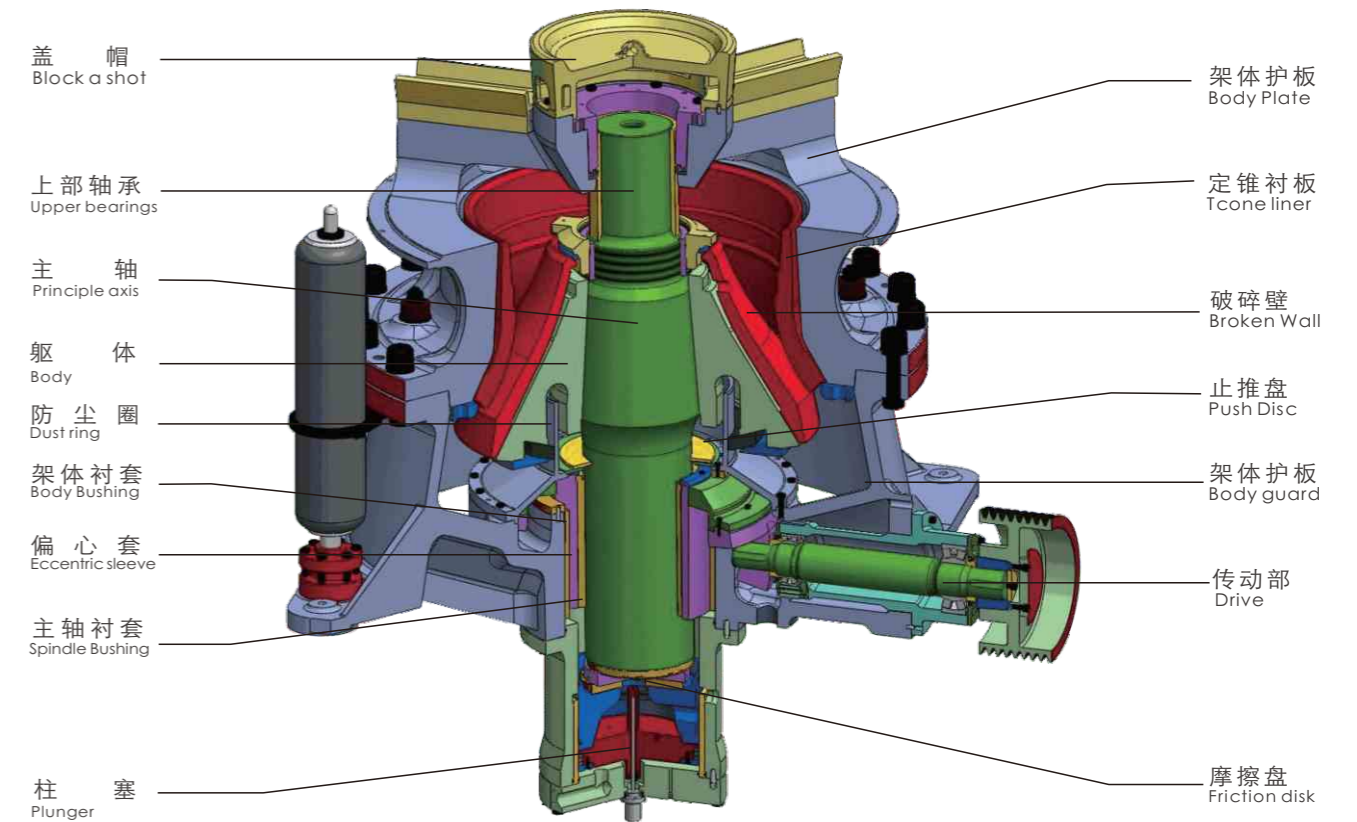


# SINGLE CYLINDER HYDRAULIC CONE CRUSHER

## HD单缸液压圆锥破碎机



### Structural Composition



### Features

- 1.特殊的破碎腔型、合理的偏心量，理想的摆频及层压缩破碎带来更高的产量，更大的破碎比，更优的粒形。
- 2.坚固的设备结构及先进的过载保护系统，可确保在最恶劣的硬质岩石破碎应用中长期运行，发生故障率较低。
- 3.正压防尘系统保证润滑系统时刻洁净，使设备在运行时免受灰尘的污染，且不需要增加额外的润滑密封及人工维护。
- 4.自动化程度高，操作简单。
- 5.设备维护方便，大部分部件均能在上部及侧部拆装，可降低工人劳动强度，提高施工效果。
- 6.特殊的破碎壁，轧臼壁设计，极大减少用户对备件的投入。

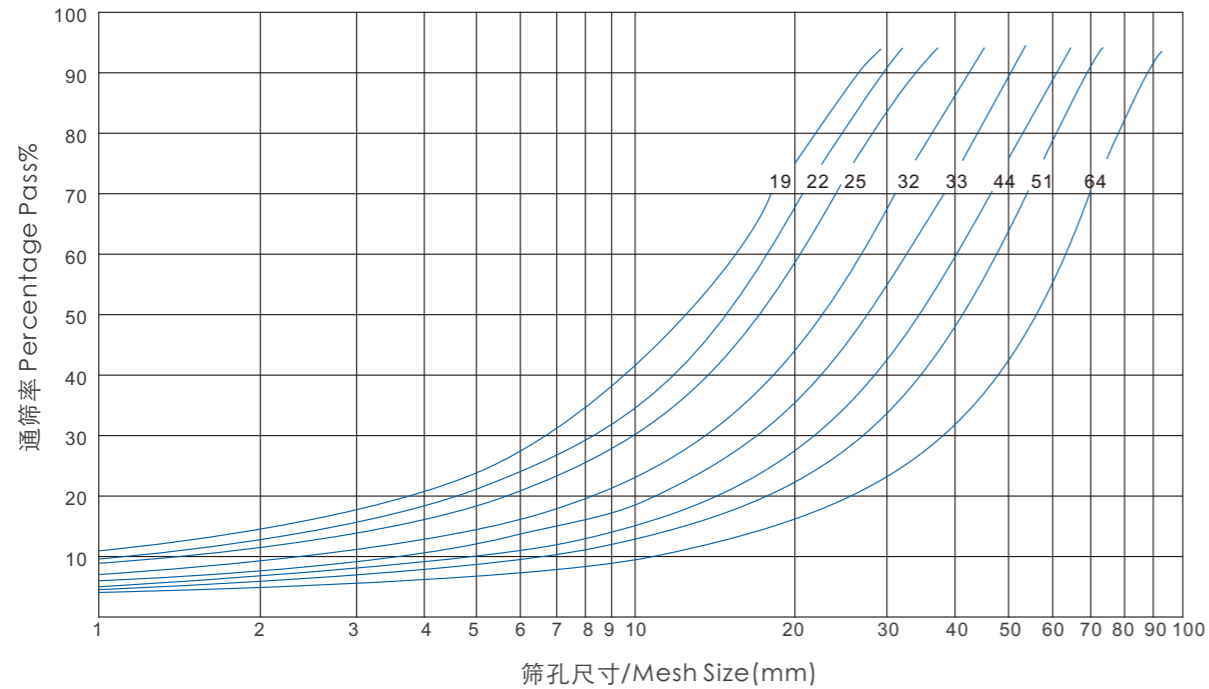
1. Special crushing cavity type, reasonable eccentricity, ideal swing frequency and layer compression crushing bring higher output, larger crushing ratio and better granular shape.
2. Sturdy equipment structure and advanced overload protection system to ensure long-term operation in the most difficult hard rock crushing applications, the failure rate is low.
3. The positive pressure dustproof system ensures that the lubrication system is clean at all times, so that the equipment is protected from dust during operation, and no additional lubrication seals and manual maintenance are required.
4. High degree of automation and simple operation.
5. The equipment is easy to maintain, most of the components can be disassembled in the upper part and the side, which can reduce the labor intensity of workers and improve the construction effect.
6. Special broken wall, rolling wall design, greatly reducing the user's investment in spare parts.

### Introduction

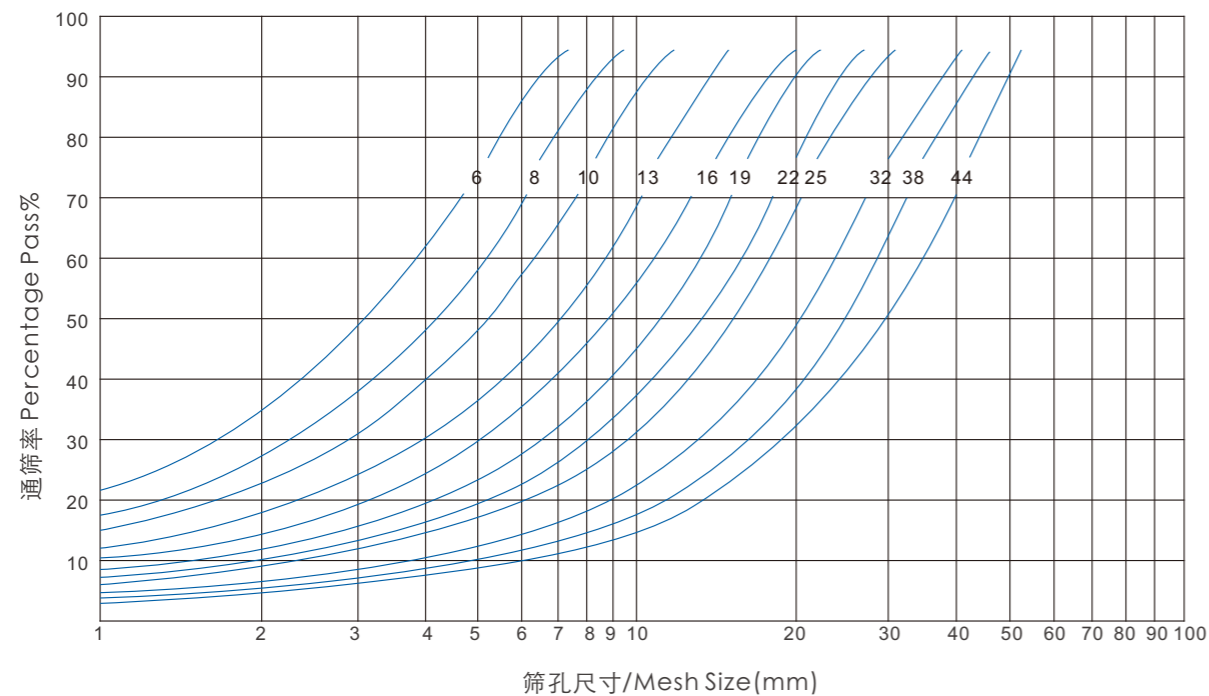
本公司新型高产能的HD系列单缸液压圆锥破碎机由于其高性能、高效益、可靠性强、性价比高，广泛用于建筑、矿山、建材、冶金、水利等领域。改变了细碎破碎的概念，采用先进的层压破碎技术，使破碎颗粒细小均匀。自动化程度高，合适的偏心距，通过排料口及自动均匀的给料设定，原料在特殊设计的破碎腔内，得到层状压缩破碎。

The company's new high-capacity HD series single-cylinder hydraulic cone crusher is widely used in construction, mining, building materials, metallurgy, water conservancy and other fields due to its high performance, high efficiency, high reliability and high cost performance. Changed the concept of fine crushing, using advanced laminating crushing technology to make the broken particles fine and uniform. High degree of automation, suitable eccentricity, through the discharge opening and automatic uniform feeding setting, the raw material is in the specially designed crushing cavity, and the layer is compressed and broken.

Secondary Cone Crusher Indicative Gradation Curves



Tertiary Cone Crusher Indicative Gradation Curves



Operating Principle

单缸圆锥破碎机工作时：电机带动破碎机的小齿轮，小齿轮带动大齿轮，大齿轮组件（大齿轮、大齿轮架、偏心钢套）带动偏心套组件（偏心缸套、偏心铜套）和主轴组件（主轴、内锥、内锥衬板）以理论垂直线为中心，在铜衬套内公转，主轴组件在偏心铜套内以主轴的中心线可以实现自转。空机运行的时候，偏心套组件“抱着”主轴组件和随大齿轮一同公转，当物料加入到破碎腔后，主轴总成（主轴、内锥）在物料的阻力下在偏心铜套内缓慢的自转。内锥的运行轨迹看起来是在破碎腔内来回摆动，同时缓慢的旋转。物料被摆动的内锥挤压破碎。支撑套与架体连接处靠液压缸压紧，当破碎机内落入金属块等不可破碎物体时，单缸的动锥由底部液压活塞托起，起到排放口调整和过铁保护、反复起落排除堵矿的作用。

When the single-cylinder cone crusher is working: the motor drives the small gear of the crusher, the small gear drives the large gear, and the large gear assembly (large gear, large gear carrier, eccentric steel sleeve) drives the eccentric sleeve assembly (eccentric cylinder sleeve, eccentric copper sleeve) And the spindle assembly (spindle, inner cone, inner cone lining) is centered on the theoretical vertical line and revolves in the copper bushing. The spindle assembly can be rotated in the eccentric copper sleeve with the center line of the main shaft. When the empty machine is running, the eccentric sleeve assembly “holds” the spindle assembly and revolves along with the large gear. When the material is added to the crushing chamber, the spindle assembly (spindle, inner cone) is slowly in the eccentric copper sleeve under the resistance of the material. The rotation. The running trajectory of the inner cone appears to oscillate back and forth within the crushing chamber while rotating slowly. The material is crushed by the inner cone of the swing. The joint between the support sleeve and the frame body is pressed by the hydraulic cylinder. When the crusher falls into a non-crushable object such as a metal block, the single-cylinder moving cone is lifted by the bottom hydraulic piston to adjust the discharge port and protect the iron. Lifting and removing the role of blocking.



## Main Specification

型号 Model	功率 Power ( kw )	腔型 Chamber Type	最大进料粒度 Max Feedin Size ( mm )	紧边排料口下的标准产能 CSS Discharge Opening & Standard Capacity ( t/h )											
				6	8	10	13	16	19	22	25	32	38	44	51
HD-44	220	特粗 Supper Coarse	217	-	-	-	-	115-202	123-279	132-297	140-316	160-360	177-399	-	-
		粗 Coarse	177	-	-	-	102	110-220	118-295	126-316	135-336	153-382	169-339	-	-
		中粗 Medium Coarse	142	-	-	-	98-124	107-266	105-286	122-305	130-325	148-333	163-245	-	-
		中 Medium	112	-	-	-	119-190	128-283	138-303	148-324	157-345	179-286	198	-	-
		中细 Medium Fine	87	-	-	117	127-237	137-251	147-269	157-288	167-306	190-254	-	-	-
		细 Fine	72	-	83-139	99-181	107-196	115-212	123-227	133-243	141-258	160-214	-	-	-
		特细 Supper Fine	40	100	125	-	-	-	-	-	-	-	-	-	-
HD-53	315	特粗 Supper Coarse	280	-	-	-	-	180	193-344	207-444	220-472	250-557	277-616	303-674	334-520
		标准粗 Standard Supper	250	-	-	-	-	178-198	191-382	204-498	216-530	247-604	273-667	299-532	330-361
		粗 Coarse	220	-	-	-	-	175-194	188-376	201-491	214-522	244-596	269-658	295-524	324-361
		中粗 Medium Coarse	180	-	-	-	-	167-260	179-438	191-468	204-498	232-568	256-513	281-374	-
		中 Medium	140	-	-	-	-	204-306	219-456	234-487	249-519	284-521	313-418	-	-
		中细 Medium Fine	120	-	-	-	200	216-385	232-413	247-441	263-470	299-471	332-379	-	-
		细 Fine	90	-	-	-	206-320	222-347	238-373	255-398	271-424	309-425	342	-	-
特细 Supper Fine	70	-	-	-	227-316	244-340	263-321	281-312	-	-	-	-	-		
HD-870	500		80-330	1、排料口调整范围 ( Adjustment Range Of Discharge Opening ) 10-60mm 2、产量 ( Capacity ) 500-1200t/h 3、机重 ( Weight ) 59t											

型号 Model	功率 Power ( kw )	腔型 Chamber Type	最大进料粒度 Max Feedin Size ( mm )	紧边排料口下的标准产能 CSS Discharge Opening & Standard Capacity ( t/h )										
				19	22	25	29	32	35	38	41	44	48	51
HD-44S	250	特粗 Supper Coarse	400	-	-	-	-	-	267	282-353	298-446	313-563	334-601	349-534

型号 Model	功率 Power ( kw )	腔型 Chamber Type	最大进料粒度 Max Feedin Size ( mm )	紧边排料口下的标准产能 CSS Discharge Opening & Standard Capacity ( t/h )										
				38	41	44	48	51	54	60	64	70	76	83
HD-53S	315	特粗 Supper Coarse	450	-	349	368-460	392-588	410-718	428-856	456-929	489-978	525-1050	562-983	604

注：规格型号如有变动，恕不另行通知。

Note: Specifications and models are subject to change without notice.